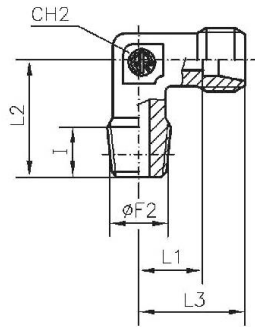
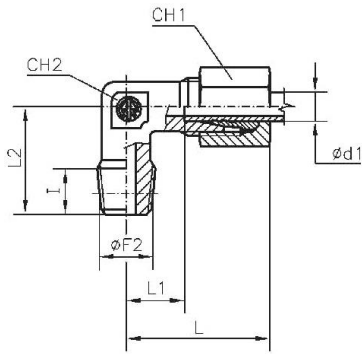


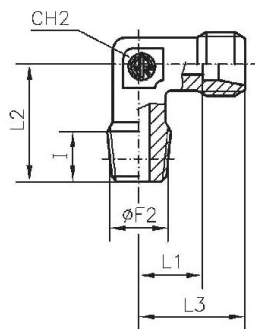
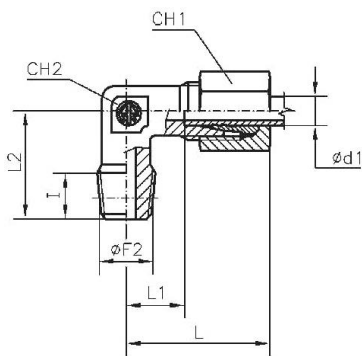
Material galvanised steel (DIN 2353)



WEVR1410SLST

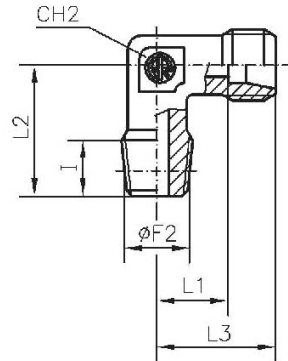
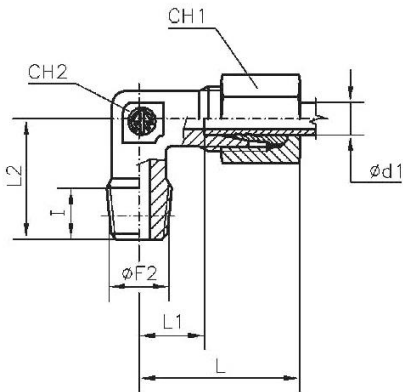
Male elbow, conical male thread acc. to ISO 7-1, very light type

Art. No.	Type No.	Thread Ø F2	Tube O.D. mm	I mm	L mm	L1 mm	L2 mm	L3 mm	CH1 mm	CH2 mm	PN bar
159150	WEVR1410SLST	R 1/4	10	12	27	15	25	20.5	17	14	100
159151	WEVR1412SLST	R 1/4	12	12	25	13	23	19.0	19	17	100



Male elbow, conical male thread acc. to ISO 7-1, light type

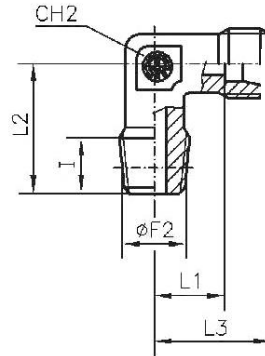
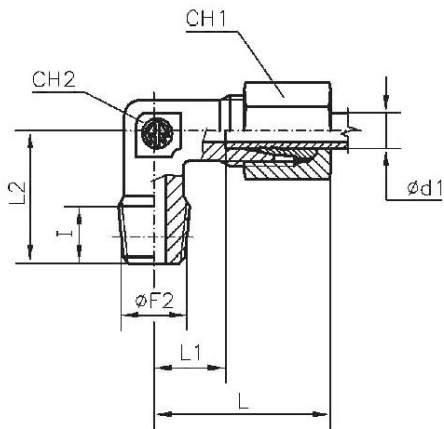
Art. No.	Type No.	Thread Ø F2	Tube O.D. mm	I mm	L mm	L1 mm	L2 mm	L3 mm	CH1 mm	CH2 mm	PN bar
159152	WEV128LST	R 1	28	18	47	30.5	48	38	41	36	160



WEVR146SST

Male elbow, conical male thread acc. to ISO 7-1, heavy type

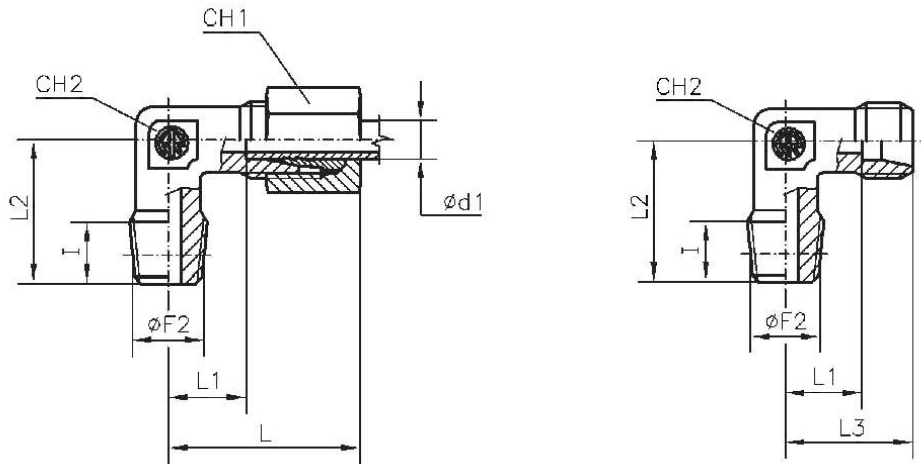
Art. No.	Type No.	Thread $\phi F2$	Tube O.D. mm	I mm	L mm	L1 mm	L2 mm	L3 mm	CH1 mm	CH2 mm	PN bar
159153	WEVR146SST	R 1/4	6	12	31	16.0	26	23	17	12	630
159154	WEVR148SST	R 1/4	8	12	32	17.0	27	24	19	14	630
159155	WEVR3810SST	R 3/8	10	12	34	17.5	28	25	22	17	630
159156	WEVR3812SST	R 3/8	12	12	38	21.5	31	29	24	17	630
159157	WEVR1212SST	R 1/2	12	12	36	21.0	34	30	24	19	630
159158	WEVR1214SST	R 1/2	14	14	40	22.0	32	30	27	19	630
159159	WEVR13816SST	R 3/8	16	12	43	24.5	32	33	30	24	400
159160	WEVR1216SST	R 1/2	16	14	43	24.5	32	33	30	24	400
159161	WEVR1220SST	R 1/2	20	14	48	26.5	42	37	36	27	400
159162	WEVR3420SST	R 3/4	20	16	48	26.5	42	37	36	27	400
159163	WEVR125SST	R 1	25	18	54	30.0	48	42	46	36	400



WEV184SLSTNPT

Male elbow, NPT thread, very light type

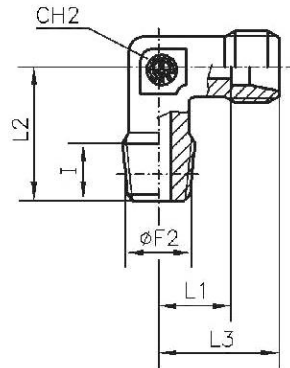
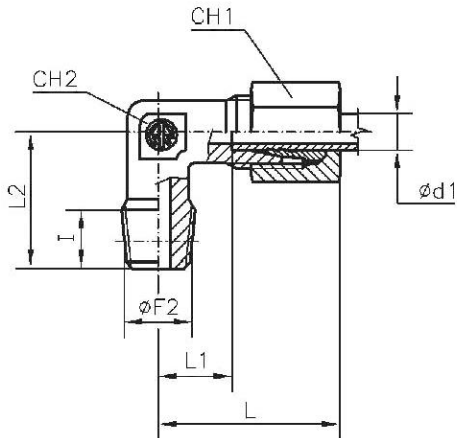
Art. No.	Type No.	Thread $\phi F2$	Tube O.D. mm	I mm	L mm	L1 mm	L2 mm	L3 mm	CH1 mm	CH2 mm	PN bar
159164	WEV184SLSTNPT	NPT 1/8	4	8	21	11.0	17	15	10	9	100
159165	WEV185SLSTNPT	NPT 1/8	5	8	21	9.5	17	15	12	9	100
159166	WEV186SLSTNPT	NPT 1/8	6	8	21	9.5	17	15	12	9	100
159167	WEV188SLSTNPT	NPT 1/8	8	8	23	11.5	20	17	14	12	100



WEV186LSTNPT

Male elbow, NPT thread, light type

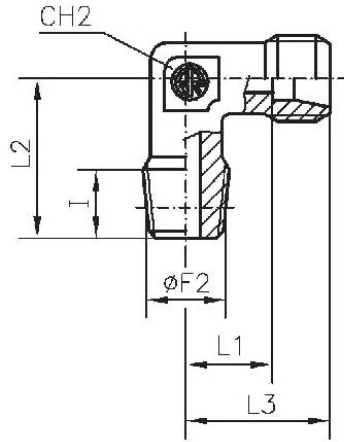
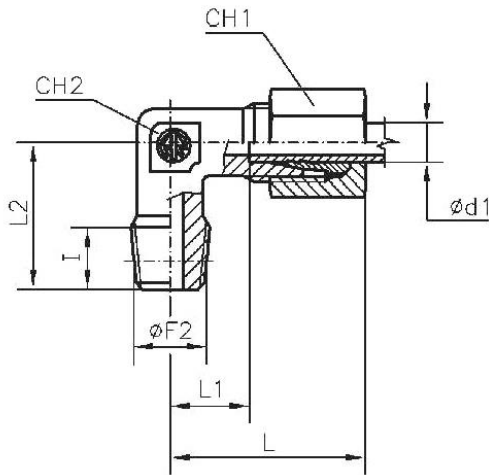
Art. No.	Type No.	Thread ø F2	Tube O.D. mm	I mm	L mm	L1 mm	L2 mm	L3 mm	CH1 mm	CH2 mm	PN bar
159168	WEV186LSTNPT	NPT 1/8	6	8	27	12.0	20	12	14	12	315
159169	WEV146LSTNPT	NPT 1/4	6	12	29	14.0	26	21	14	12	315
159170	WEV148LSTNPT	NPT 1/4	8	12	29	14.0	26	21	17	12	315
159171	WEV388LSTNPT	NPT 3/8	8	12	32	17.0	28	24	17	17	315
159172	WEV1410LSTNPT	NPT 1/4	10	12	30	15.0	27	22	19	14	315
159173	WEV3810LSTNPT	NPT 3/8	10	12	32	17.0	28	24	19	17	315
159174	WEV1412LSTNPT	NPT 1/4	12	12	32	17.0	28	24	22	17	315
159175	WEV3812LSTNPT	NPT 3/8	12	12	32	17.0	28	24	22	17	315
159176	WEV1212LSTNPT	NPT 1/2	12	14	36	21.0	34	28	22	19	315
159177	WEV1215LSTNPT	NPT 1/2	15	14	36	21.0	34	28	27	19	315
159178	WEV1218LSTNPT	NPT 1/2	18	14	40	23.5	36	31	32	24	315
159179	WEV3422LSTNPT	NPT 3/4	22	16	44	27.5	42	35	36	27	160
159780	WEV128LSTNPT	NPT 1	28	18	47	30.5	48	38	41	36	160



WEV146SSTNPT

Male elbow, NPT thread, heavy type

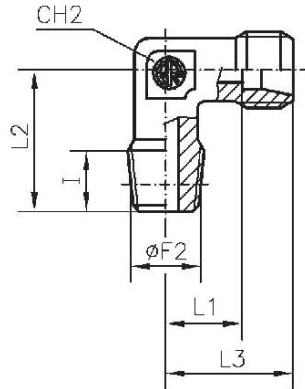
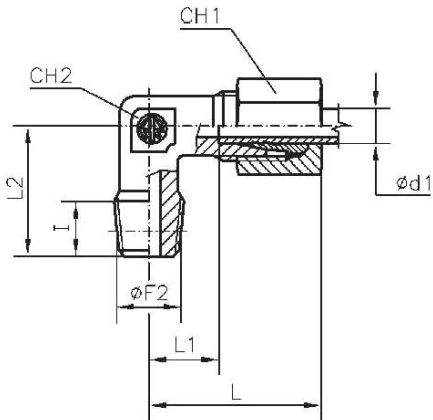
Art. No..	Type No.	Thread $\phi F2$	Tube O.D. mm	I mm	L mm	L1 mm	L2 mm	L3 mm	CH1 mm	CH2 mm	PN bar
159181	WEV146SSTNPT	NPT 1/4	6	12	31	16.0	26	23	17	12	630
159182	WEV148SSTNPT	NPT 1/4	8	12	32	17.0	27	24	19	14	630
159183	WEV3810SSTNPT	NPT 3/8	10	12	34	17.5	28	25	22	17	630
159184	WEV3812SSTNPT	NPT 3/8	12	12	38	21.5	31	29	24	17	630
159185	WEV1212SSTNPT	NPT 1/2	12	12	36	21.0	34	30	27	19	630
159186	WEV1214SSTNPT	NPT 1/2	14	16	40	22.0	32	30	27	19	630
159187	WEV1216SSTNPT	NPT 1/2	16	16	43	24.5	36	33	30	24	630
159188	WEV3420SSTNPT	NPT 3/4	20	16	48	26.5	42	37	36	27	400
159189	WEV125SSTNPT	NPT 1	25	18	54	30.0	48	42	46	36	400



WEVM84SLST

Male elbow, metric tapered thread, very light type

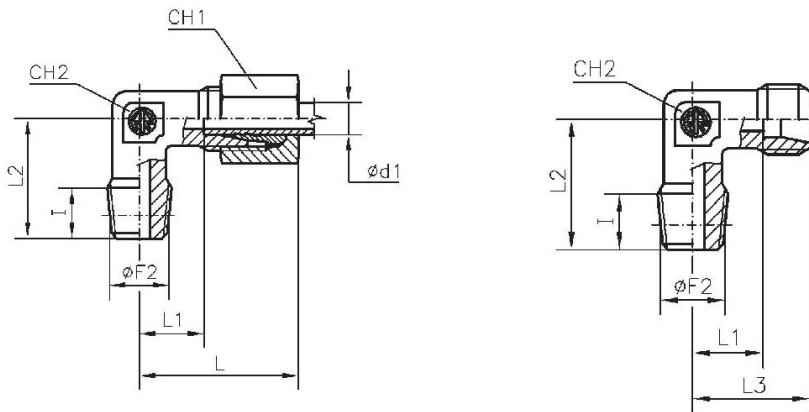
Art. No.	Type No.	Thread $\phi F2$	Tube O.D. mm	I mm	L mm	L1 mm	L2 mm	L3 mm	CH1 mm	CH2 mm	PN bar
159190	WEVM84SLST	M8x1.0 tapered	4	8	21	11.0	17	15	10	9	100
159191	WEVM85SLST	M8x1.0 tapered	5	8	21	9.5	17	15	12	9	100
159192	WEVM106SLST	M10x1.0 tapered	6	8	21	9.5	17	15	12	9	100
159193	WEVM108SLST	M10x1.0 tapered	8	8	23	11.5	20	17	14	12	100



WEVM106LST

Male elbow, metric tapered thread, light type

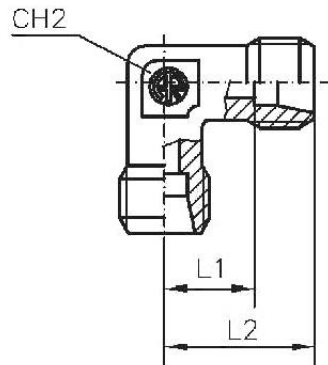
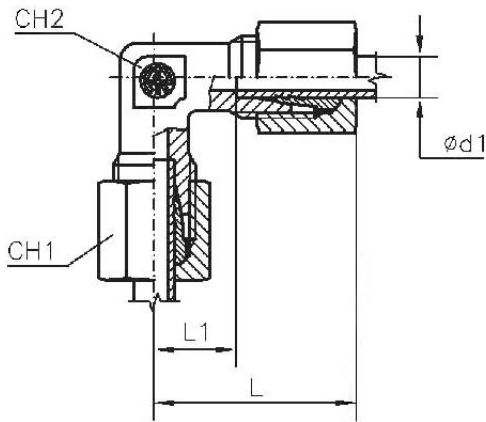
Art. No.	Type No.	Thread $\phi F2$	Tube O.D. mm	I mm	L mm	L1 mm	L2 mm	L3 mm	CH1 mm	CH2 mm	PN bar
159194	WEVM106LST	M10x1.0 tapered	6	8	27	12.0	20	19	14	12	315
159195	WEVM128LST	M12x1.5 tapered	8	12	29	14.0	26	21	17	12	315
159196	WEVM1410LST	M14x1.5 tapered	10	12	30	15.0	27	22	19	14	315
159197	WEVM1612LST	M16x1.5 tapered	12	12	32	17.0	28	24	22	17	315
159198	WEVM1815LST	M18x1.5 tapered	15	14	36	21.0	32	28	27	19	315
159199	WEVM2218LST	M22x1.5 tapered	18	14	40	23.5	36	31	32	24	315



WEVM126SST

Male elbow, metric tapered thread, heavy type

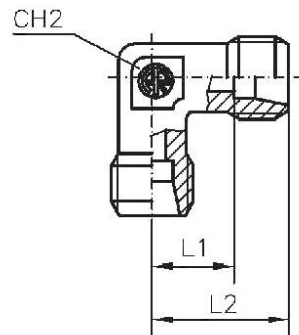
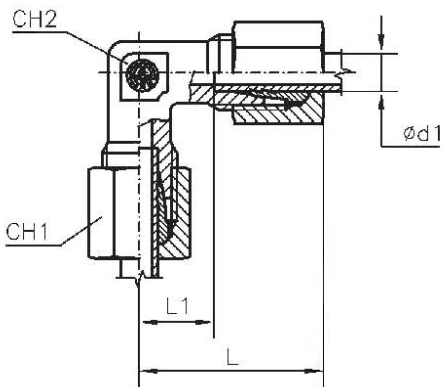
Art. No.	Type No.	Thread Ø F2	Tube O.D. mm	I mm	L mm	L1 mm	L2 mm	L3 mm	CH1 mm	CH2 mm	PN bar
159200	WEVM126SST	M12x1.5 tapered	6	12	31	16.0	26	23	17	12	630
159201	WEVM148SST	M14x1.5 tapered	8	12	32	17.0	27	24	19	14	630
159202	WEVM1610SST	M16x1.5 tapered	10	12	34	17.5	28	25	22	17	630
159203	WEVM1812SST	M18x1.5 tapered	12	12	38	21.5	31	29	24	17	630
159204	WEVM2014SST	M20x1.5 tapered	14	14	40	22.0	32	30	27	19	630
159205	WEVM2216SST	M22x1.5 tapered	16	14	43	24.5	32	33	30	24	400



WV10SLST

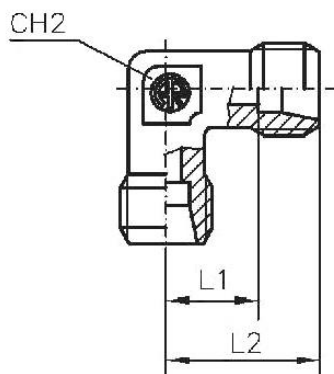
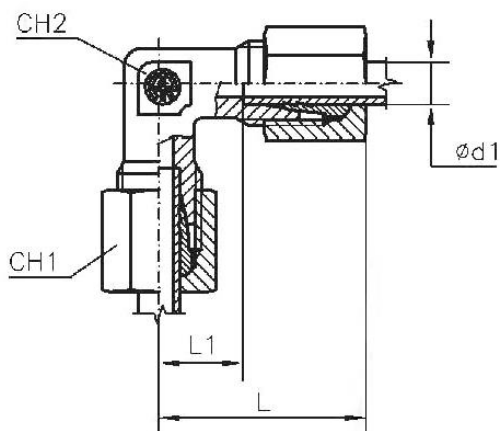
Union elbow, very light type

Art. No.	Type No.	Tube O.D. mm	L mm	L1 mm	L2 mm	CH1 mm	CH2 mm	PN bar
159739	WV10SLST	10	27	15	20.5	17	14	100
159740	WV12SLST	12	25	13	19.0	19	17	100



Union elbow, light type

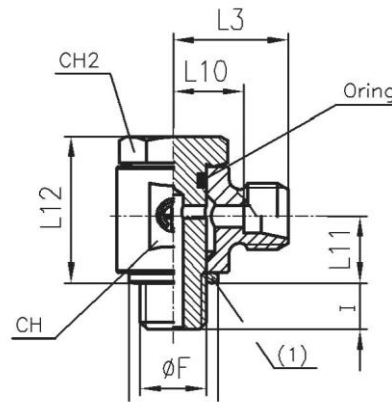
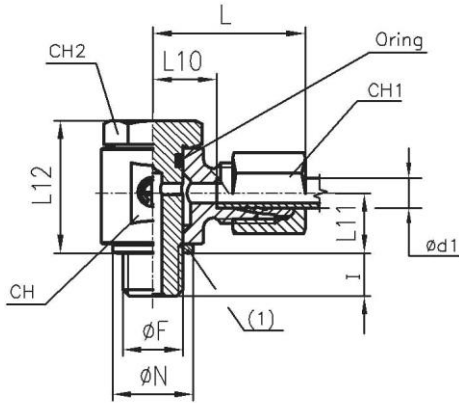
Art. No.	Type No.	Tube O.D. mm	L mm	L1 mm	L2 mm	CH1 mm	CH2 mm	PN bar
159699	WV28LST	28	47	30.5	38	41	36	160



WV6SST

Union elbow, heavy type

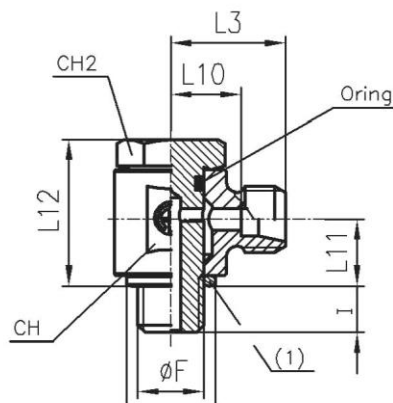
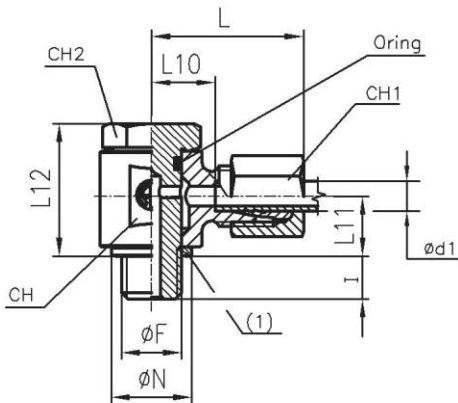
Art. No.	Type No.	Tube O.D. mm	L mm	L1 mm	L2 mm	CH1 mm	CH2 mm	PN bar
159700	WV6SST	6	31	16.0	23	17	12	630
159701	WV8SST	8	32	17.0	24	19	14	630
159702	WV10SST	10	34	17.5	25	22	17	630
159703	WV12SST	12	38	21.5	29	24	17	630
159704	WV14SST	14	40	22.0	30	27	19	630
159705	WV16SST	16	43	24.5	33	30	24	400
159706	WV20SST	20	48	26.5	37	36	27	400
159707	WV25SST	25	54	30.0	42	46	36	400



SWVM84SLST

Banjo elbow, metric male thread with O-ring, very light type

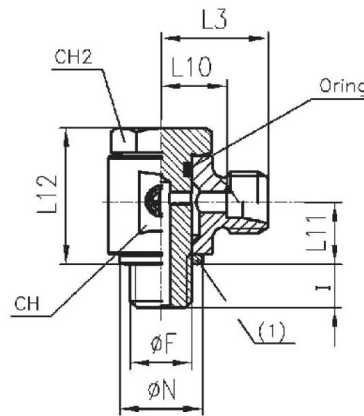
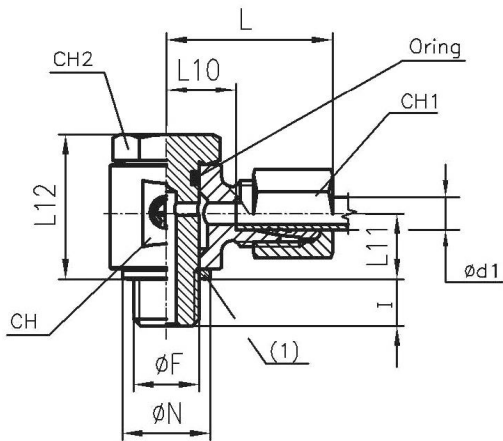
Art. No.	Type No.	Thread Ø F	Tube O.D. mm	I mm	L mm	L10 mm	L11 mm	L12 mm	L3 mm	Ø N mm	CH1 mm	CH2 mm	CH mm	PN bar
158836	SWVM84SLST	M8x1.0	4	6	24.5	13.0	10	22	17	14	10	14	18	100
158837	SWVM85SLST	M8x1.0	5	6	25.0	11.5	10	22	17	14	12	14	18	100
158838	SWVM106SLST	M10x1.0	6	6	25.0	11.5	10	22	17	14	12	14	18	100
158839	SWVM108SLST	M10x1.0	8	6	26.0	12.5	10	22	18	14	14	14	18	100



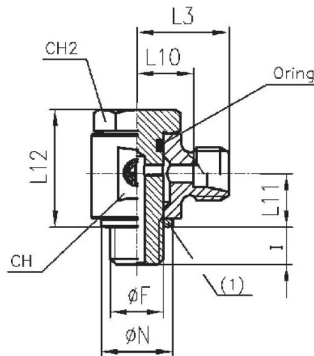
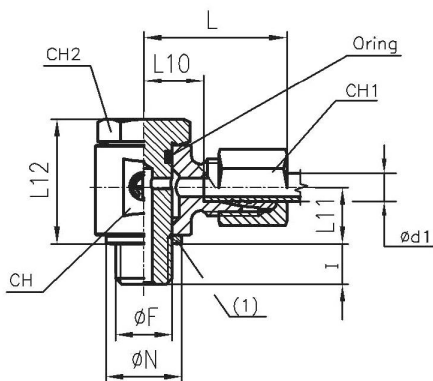
SWVM106LST

Banjo elbow, metric male thread with O-ring, light type

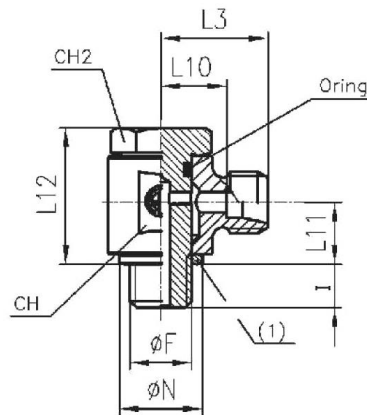
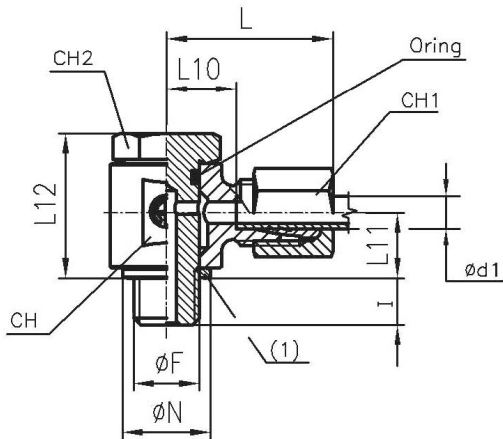
Art. No.	Type No.	Thread Ø F	Tube O.D. mm	I mm	L mm	L10 mm	L11 mm	L12 mm	L3 mm	Ø N mm	CH1 mm	CH2 mm	CH mm	PN bar
158840	SWVM106LST	M10x1.0	6	8	29.0	13.0	12.5	27.0	20.0	15	14	17	19	315
158841	SWVM128LST	M12x1.5	8	12	30.5	14.5	15.0	30.5	21.5	17	17	19	22	315
158842	SWVM1410LST	M14x1.5	10	12	32.0	15.5	15.0	30.5	22.5	18	19	19	22	315
158843	SWVM1612LST	M16x1.5	12	12	36.0	19.5	19.0	38.5	26.5	22	22	24	30	315
158844	SWVM1815LST	M18x1.5	15	14	39.0	22.5	21.5	44.5	29.0	22	27	24	32	315
158845	SWVM2218LST	M22x1.5	18	14	40.0	22.0	23.0	48.0	29.5	26	32	27	36	315
158846	SWVM2622LST	M26x1.5	22	16	47.0	28.0	26.0	56.0	35.5	32	36	32	41	160
158847	SWVM3328LST	M33x2.0	28	18	51.0	31.5	32.0	69.5	39.0	39	41	41	50	160


SWVM126SST
Banjo elbow, metric male thread with O-ring, heavy type

Art. No.	Type No.	Thread Ø F	Tube O.D. mm	I mm	L mm	L10 mm	L11 mm	L12 mm	L3 mm	Ø N mm	CH1 mm	CH2 mm	CH mm	PN bar
158848	SWVM126SST	M12x1.5	6	12	33.0	16.5	15	30.5	23.5	17	17	19	22	400
158849	SWVM148SST	M14x1.5	8	12	32.5	16.5	15	30.5	23.5	18	19	19	22	400
158850	SWVM1610SST	M16x1.5	10	12	38.0	20.0	19	38.5	27.5	22	22	24	30	400
158851	SWVM1812SST	M18x1.5	12	12	38.0	20.0	18	37.5	27.5	22	24	24	30	400
158852	SWVM2014SST	M20x1.5	14	14	42.5	23.5	23	48.0	31.5	26	27	27	36	400
158853	SWVM2216SST	M22x1.5	16	14	43.0	23.0	23	48.0	31.5	26	30	27	36	400
158854	SWVM2720SST	M27x2.0	20	16	51.5	27.0	26	56.0	37.5	32	36	32	41	400
158855	SWVM3325SST	M33x2.0	25	18	58.0	31.0	32	69.5	43.0	39	46	41	50	250


SWV4SLST
Banjo elbow, parallel male thread with O-ring, very light type

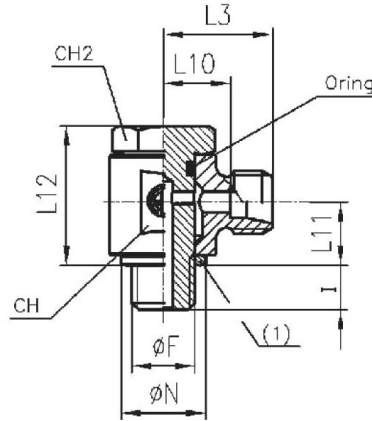
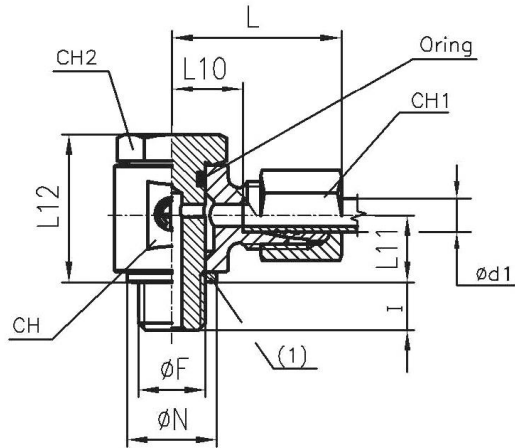
Art. No.	Type No.	Thread Ø F	Tube O.D. mm	I mm	L mm	L10 mm	L11 mm	L12 mm	L3 mm	Ø N mm	CH1 mm	CH2 mm	CH mm	PN bar
158856	SWV4SLST	G 1/8	4	6	24.5	13.0	10	22	17	14	10	14	18	100
158857	SWV5SLST	G 1/8	5	6	25.0	11.5	10	22	17	14	12	14	18	100
158858	SWV6SLST	G 1/8	6	6	25.0	11.5	10	22	17	14	12	14	18	100
158859	SWV8SLST	G 1/8	8	6	26.0	12.5	10	22	18	14	14	14	18	100



SWV6LST

Banjo elbow, parallel male thread with O-ring, light type

Art. No.	Type No.	Thread $\varnothing F$	Tube O.D. mm	I mm	L mm	L10 mm	L11 mm	L12 mm	L3 mm	$\varnothing N$ mm	CH1 mm	CH2 mm	CH mm	PN bar
158860	SWV6LST	G 1/8	6	8	29.0	13.0	12.5	27.0	20.0	15	14	17	19	315
158861	SWV8LST	G 1/4	8	12	30.5	14.5	15.0	30.5	21.5	18	17	19	22	315
158862	SWV10LST	G 1/4	10	12	32.0	15.5	15.0	30.5	22.5	18	19	19	22	315
158863	SWV12LST	G 3/8	12	12	36.0	19.5	19.0	38.5	26.5	22	22	24	30	315
158864	SWV15LST	G 1/2	15	14	39.0	22.5	23.0	48.0	29.5	26	27	27	36	315
158865	SWV18LST	G 1/2	18	14	40.0	22.0	23.0	48.0	29.5	26	32	27	36	315
158866	SWV22LST	G 3/4	22	16	47.0	28.0	26.0	56.0	35.5	32	36	32	41	160
158867	SWV28LST	G 1	28	18	51.0	31.5	32.0	69.5	39.0	39	41	41	50	160



SWV6SST

Banjo elbow, parallel male thread with O-ring, heavy type

Art. No.	Type No.	Thread ϕF	Tube O.D. mm	I mm	L mm	L10 mm	L11 mm	L12 mm	L3 mm	ϕN mm	CH1 mm	CH2 mm	CH mm	PN bar
158868	SWV6SST	G 1/4	6	12	33.0	16.5	15	30.5	23.5	18	17	19	22	400
158869	SWV8SST	G 1/4	8	12	32.5	16.5	15	30.5	23.5	18	19	19	22	400
158870	SWV10SST	G 3/8	10	12	38.0	20.0	19	38.5	27.5	22	22	24	30	400
158871	SWV12SST	G 3/8	12	12	38.0	20.0	19	38.5	27.5	22	24	24	30	400
158872	SWV14SST	G 1/2	14	14	42.5	23.5	23	48.0	31.5	26	27	27	36	400
158873	SWV16SST	G 1/2	16	14	43.0	23.0	23	48.0	31.5	26	30	27	36	400
158874	SWV20SST	G 3/4	20	16	51.5	27.0	26	56.0	37.5	32	36	32	41	400
158875	SWV25SST	G 1	25	18	58.0	31.0	32	69.5	43.0	39	46	41	50	250